

PLUMBEREX

SPECIALTY PRODUCTS INC

ADA Specialty Products

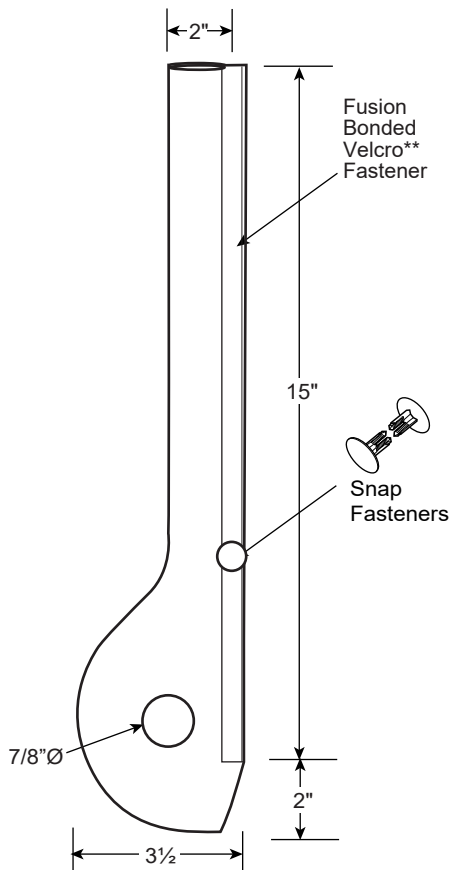


ADA
Compliant for Americans
with Disabilities Act
and IAPMO Listed

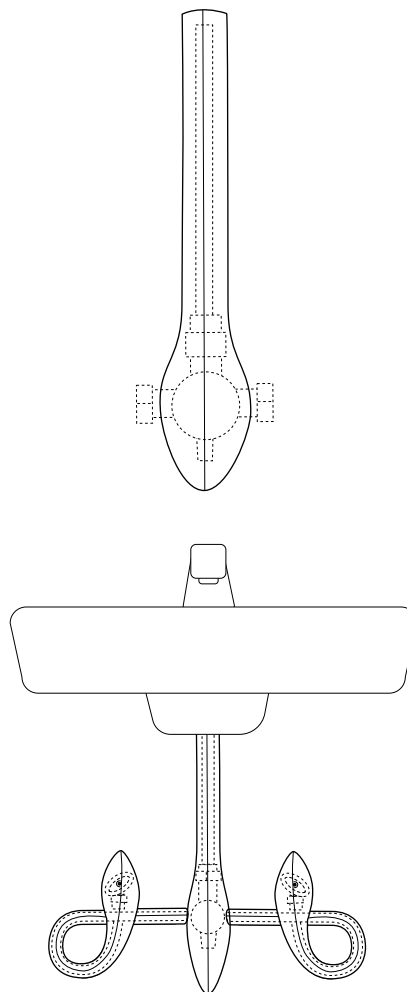
SUBMITTAL SHEET

PROJECT	
DWG #	
ITEM #	

#3021 Mix 60 Valve & Supply Cover



Detail: Mix Valve and Water
Supply with Cover



Optimum Flexibility for
Plumbing Code Required
Mixing Valve Installations

SUGGESTED SPECIFICATION

Insulate per ADA 4.19.4 and or ANSI A117.1 all exposed water, valve supplies and drain piping. Protectors shall conform to ASTM C 1822 Type I. Protectors will consist of one-piece cover with a smooth, soft texture, anti-fungal, anti-microbial, closed cell vinyl with heat welded construction. Insulation shall conform to International Building Code (IBC) with testing standard of ASTM E84-07 Class A Material (25 Flame/450 Smoke) criteria. Protectors shall consist of a dual fastening system of Velcro* Fastening Strips and tamper resistant self-locking snap fasteners. Protectors must be secured by Heavy-Duty, Self-Locking, Snap Fasteners for permanent safe fit option to deter theft and/or injury.

**Manufacturer: Plumberex
Specialty Products Inc.
Model #3201 Mix 60**

brand and shall consist of all the above listed components and features.

*Velcro is a registered trademark of Velcro USA Inc.

PRODUCT DETAIL:

For thermostatic and mixing valves, exposed piping and supply stop protectors requiring compliance with ADA 4.19.4 covers attach by a dual fastening system of a 3/4" Velcro strip and tamper resistant, self-locking snap fasteners. Surfaces are easy to clean non-absorbent vinyl with U/V inhibited, antifungal/anti microbial agents.

PART NUMBER BY PRODUCT

*Note: All model colors are white

MODEL # 3201 Mix 60
Mixing Valve & Supply Cover

Available color options:

White	Gray	Almond	Black



MADE IN USA



P.O. Box 1684 Palm Springs, CA 92263 (760) 343-7363 1-800-475-8629 FAX (760)343-7366
Plumberex Specialty Products, Inc. Reserves the right to make changes or improvements at any time without notice.

© 2008 Plumberex Specialty Products, Inc.