

PLUMBEREX

SPECIALTY PRODUCTS INC.

HANDY-SHIELD™ Safety Covers



SUBMITTAL SHEET

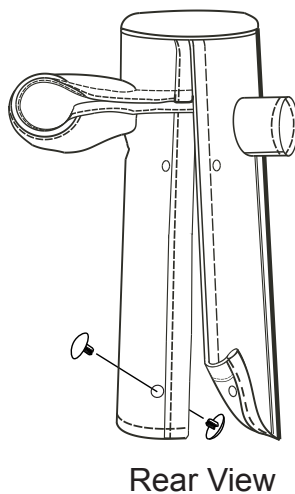
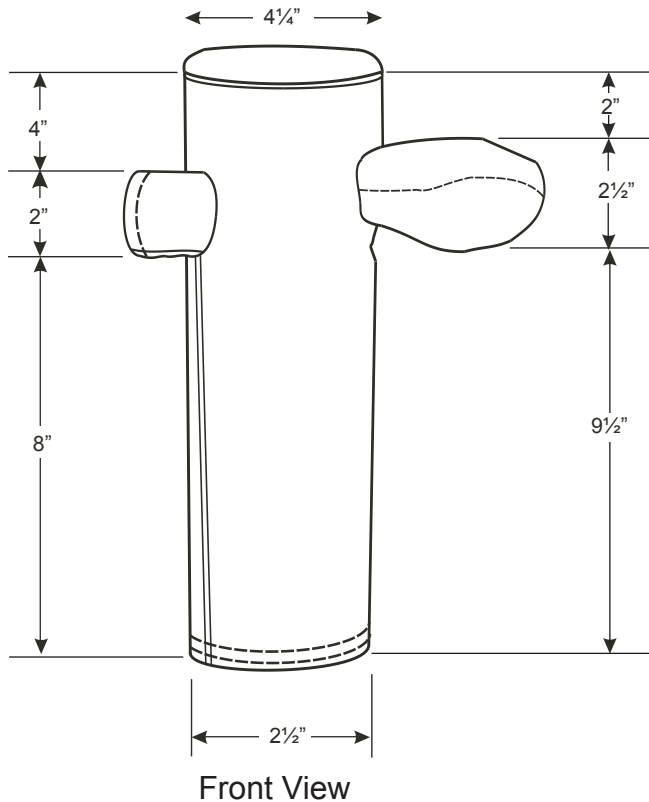
PROJECT	
DWG #	
ITEM #	



ADA
Compliant for Americans
with Disabilities Act
and IAPMO Listed



Flush Valve Cover (Universal Fit)



MADE IN USA

SUGGESTED SPECIFICATION

Insulate hot and cold domestic water piping, waste piping, and other components below ADA plumbing fixtures with IAPMO/UPC listed, one-piece, molded removable 1/8" thick PVC vinyl with a smooth soft and pliable texture. Insulation shall conform to International Building Code (IBC) with testing standard of ASTM E84-07 Class A Material (25 Flame/450 Smoke) criteria. Protectors shall consist of a dual fastening system of full length *VelcroFastening Strips and tamper resistant self-locking snap fasteners.

Manufacturer: PLUMBEREX Inc.
HANDY-SHIELD™ brand and shall consist of all the above listed components and features.

*Velcro is a registered trademark of Velcro USA Inc.

PRODUCT DETAIL:

Protectors shall have a 1 1/2" brass fit. Surfaces shall have a non-abrasive, non-absorbent easy to clean U/V inhibited, antimicrobial, and antifungal properties. Install to comply with Fed Reg. A4. 16. 5. for Flush Controls.

PART NUMBER BY PRODUCT

MODEL # 3081-M White
Flush Valve Cover
(Universal Fit)

Available color options:

White	Gray	Almond	Black



P.O. Box 1684 Palm Springs, CA 92263 (760) 343-7363 1-800-475-8629 FAX (760)343-7366
Plumberex Specialty Products, Inc. Reserves the right to make changes or improvements at any time without notice.

© 2004 Plumberex Specialty Products, Inc.